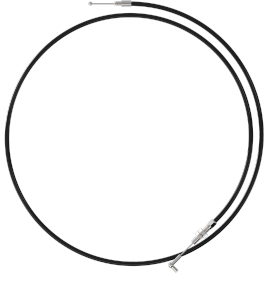


# VECTOR CABLES



Vector cables to connect Vector latchpoints, for example Vector rotary latches, Vector actuators and Vector pull handles. Low friction and tension ensures precise and smooth motion control. The L-shaped end-fittings attach easily and securely to the latch points and actuators. Vector cables are equipped with threads for adjustment on both ends, making it easy to adjust on both latch point and actuator side. Other lengths are available upon request.

DIN EN  
61373

## MATERIAL

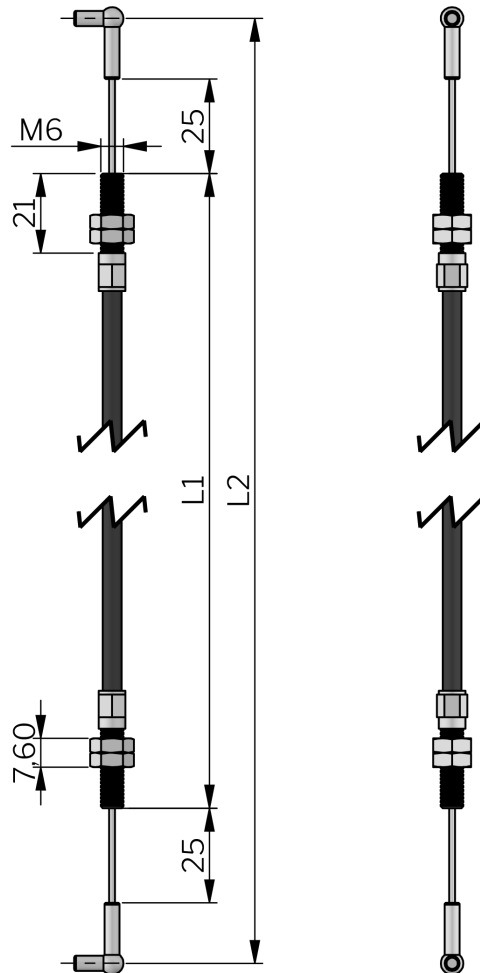
**Cable:** High carbon steel  
**Cable casing:** PVC  
**End Fittings:** Zinkdruckguss  
**Mutter:** Zinc die cast, chrome

## ÄHNLICHE PRODUKTE

**Ähnliche Produkte:** 2-746

### Needed components for a complete system:

2-835, 2-850, 2-860, 2-750-01, 2-750-02, 2-750-03, 2-750-04, 2-750-07, 2-769  
 Use the Index Code at [industrilas.com](http://industrilas.com)



**Industrilas**  
 — When access counts —

**A product number is created by combining the figures in each column (AAAA-BCDDEE-HHHH)**

AAAA Type	B Material wire	C Material cover	DD End-fitting	EE Adjustment threads	HHHH	Length L1 mm	Length L2 mm
5280 Vector wire	1 Stahl	1 Plastic	10 2 x L-shape, zinc	10 2 x 21 mm / M6	0300	300	382
					0500	500	582
					0900	700	782
					1200	1500	982
					582	582	1282
					982	982	1582